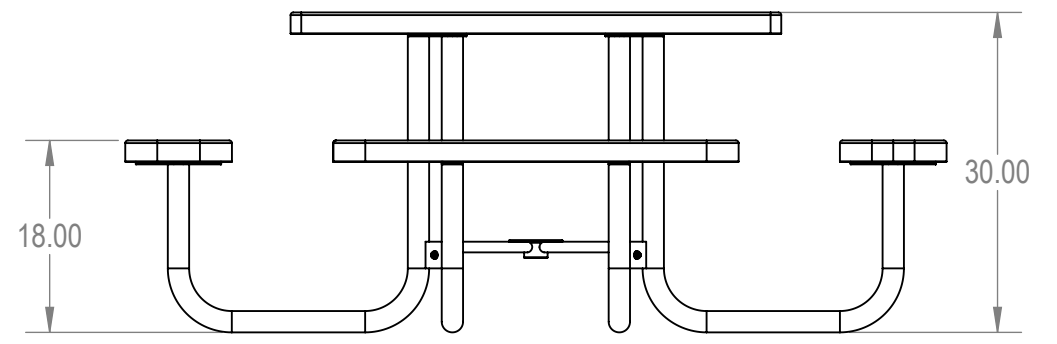
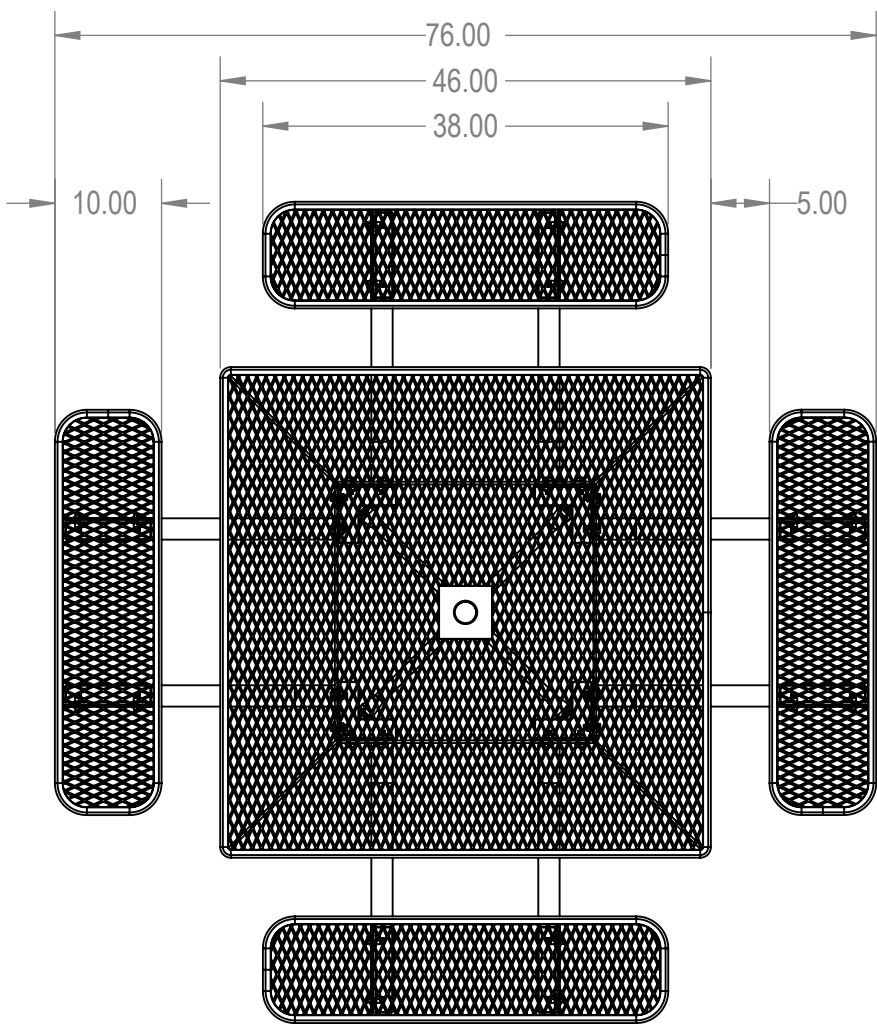


Model Numbers:  
 TSQ46-A-04-000 - Advantage Coating  
 TSQ46-C-04-000 - Industry Standard Coating



**PROPRIETARY AND CONFIDENTIAL**  
 THE INFORMATION CONTAINED IN THIS DRAWING IS THE SOLE PROPERTY OF Advantage Panels & Fence, Inc. PO Box 1790 Whitney, TX. ANY REPRODUCTION IN PART OR AS A WHOLE WITHOUT THE WRITTEN PERMISSION OF Advantage Panels & Fence, Inc. PO Box 1790 Whitney, TX. IS PROHIBITED.

	NAME	DATE
DRAWN	GM	1/3/2016
SALES APPR.		
CLIENT APPR.		
MFG APPR.		
Q.A.		
Design By -		
CADWorksPro Chicago, IL		
www.cadworkspro.com		

<b>AAdvantage Panels &amp; Fence, Inc.</b>		
TITLE:		
46in Square Table - Portable Expanded Metal Version		
SIZE	DWG. NO.	REV
<b>A</b>		
	WEIGHT:	SHEET 2 OF 3