

| | | | | |
|----------------------------|------|------------|--|----------|
| | NAME | DATE | AAdvantage Panels & Fence, Inc. | |
| DRAWN | GM | 11/30/2016 | TITLE: | |
| SALES APPR. | | | 3-Seat HCA Square Table | |
| CLIENT APPR. | | | Portable | |
| MFG APPR. | | | SIZE | DWG. NO. |
| Q.A. | | | A | ????? |
| Design By - | | | REV | 2 |
| CADWorksPro Chicago, IL | | | WEIGHT: | |
| www.cadworkspro.com | | | SHEET 1 OF 3 | |



Mfg. by Advantage Panels & Fence, Inc.

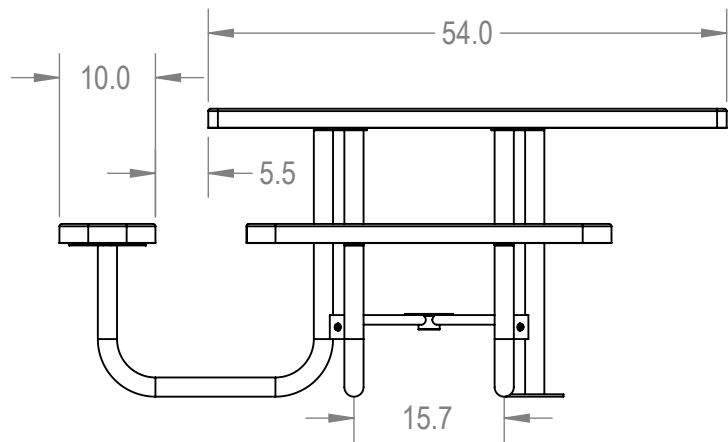
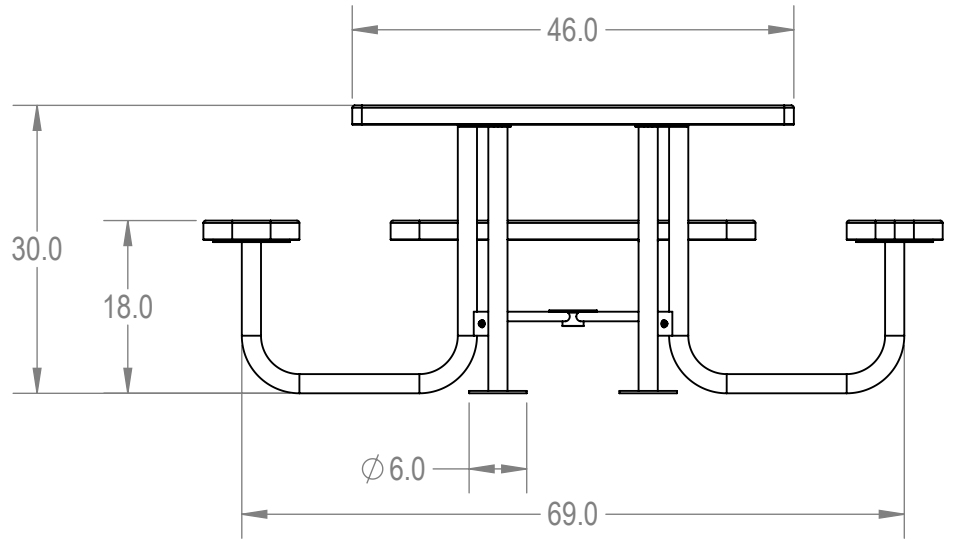
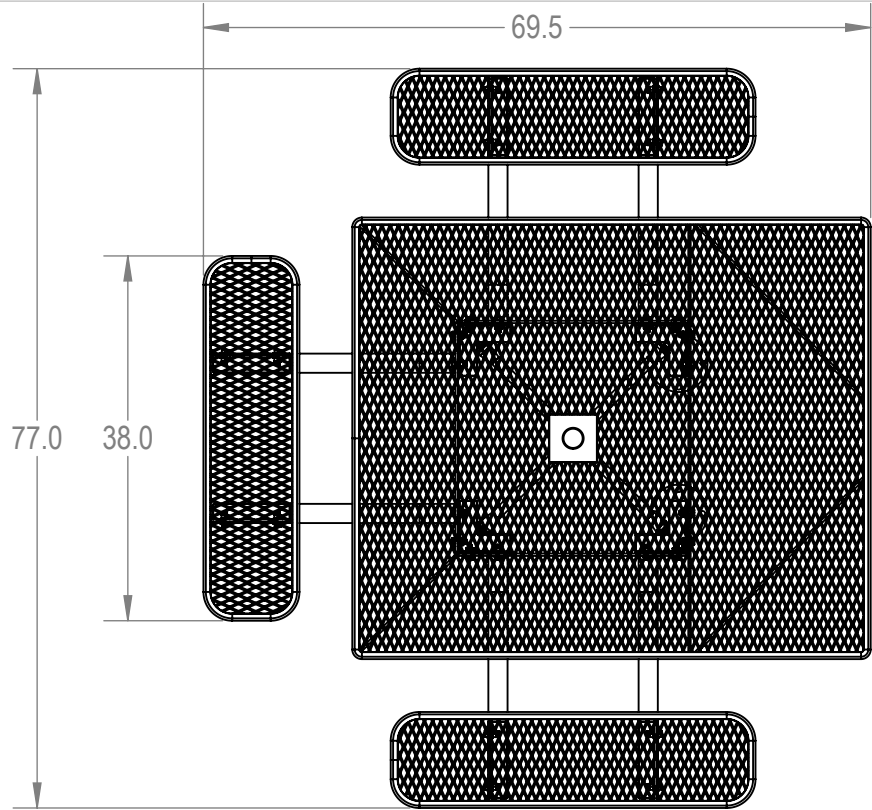
MyTCoat

Commercial Outdoor Furniture

www.mytcoat.com

PROPRIETARY AND CONFIDENTIAL

THE INFORMATION CONTAINED IN THIS DRAWING IS THE SOLE PROPERTY OF Advantage Panels & Fence, Inc. PO Box 1790 Whitney, TX. ANY REPRODUCTION IN PART OR AS A WHOLE WITHOUT THE WRITTEN PERMISSION OF Advantage Panels & Fence, Inc. PO Box 1790 Whitney, TX. IS PROHIBITED.



Mfg. by Advantage Panels & Fence, Inc.

MYTCOAT

Commercial Outdoor Furniture

www.mytcoat.com

PROPRIETARY AND CONFIDENTIAL

THE INFORMATION CONTAINED IN THIS DRAWING IS THE SOLE PROPERTY OF Advantage Panels & Fence, Inc. PO Box 1790 Whitney, TX. ANY REPRODUCTION IN PART OR AS A WHOLE WITHOUT THE WRITTEN PERMISSION OF Advantage Panels & Fence, Inc. PO Box 1790 Whitney, TX. IS PROHIBITED.

| | NAME | DATE |
|--------------|------|------------|
| DRAWN | GM | 11/30/2016 |
| SALES APPR. | | |
| CLIENT APPR. | | |
| MFG APPR. | | |
| Q.A. | | |

Design By -

CADWorksPro
Chicago, IL

www.cadworkspro.com

AAdvantage Panels & Fence, Inc.

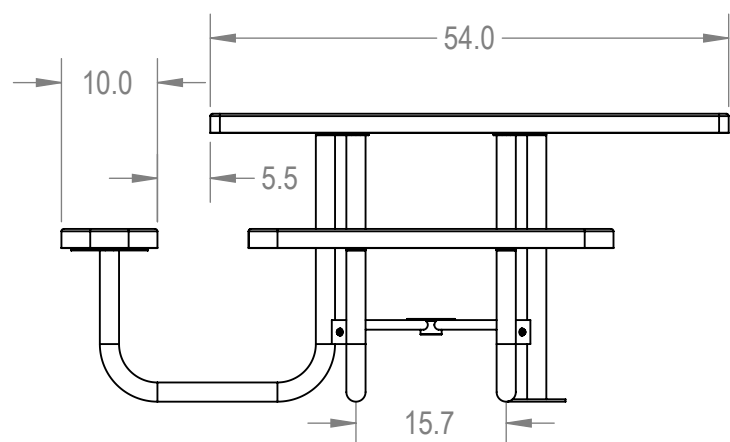
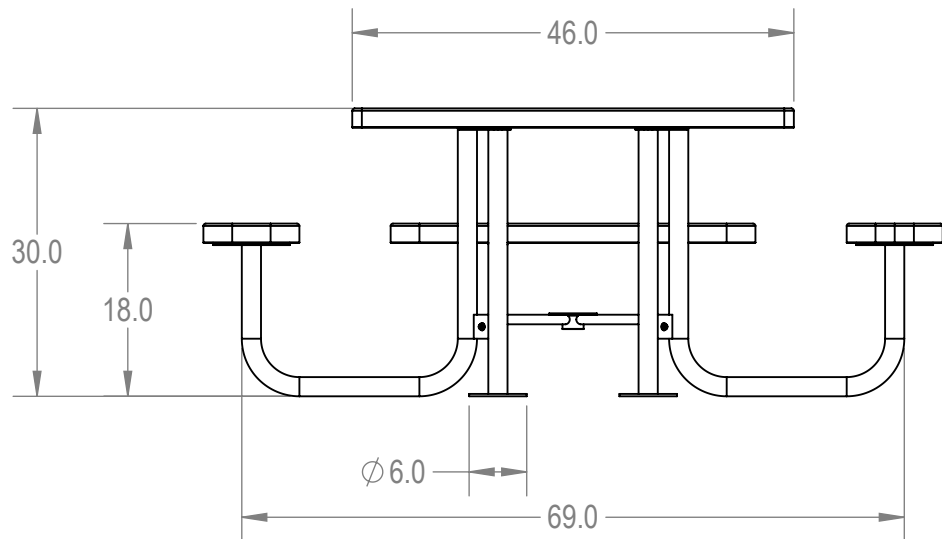
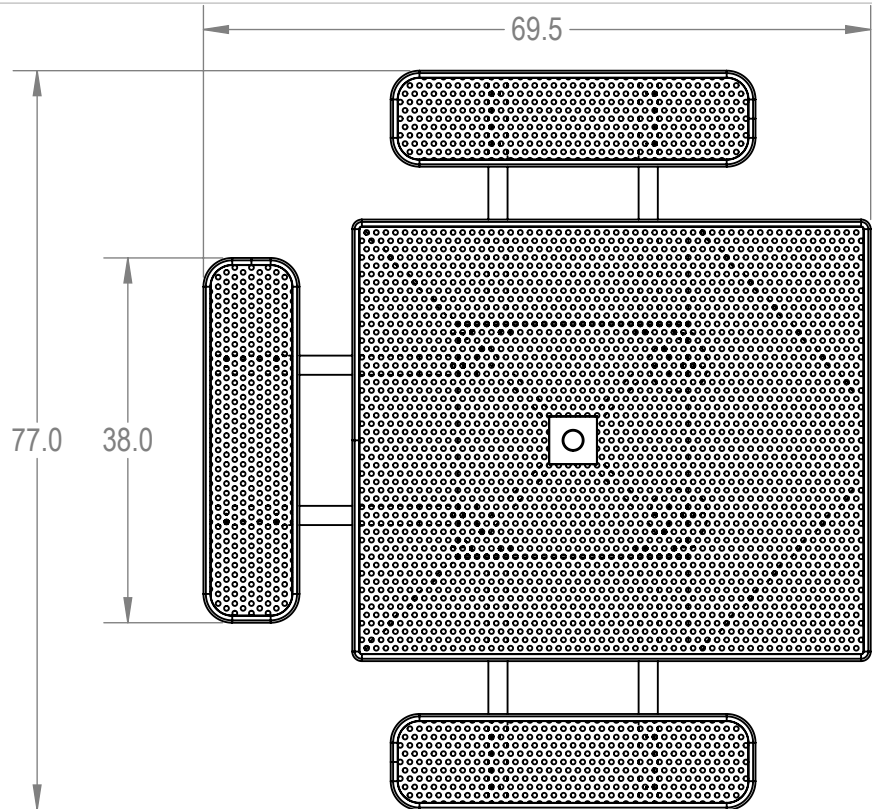
TITLE:

**3-Seat HCA Square Table
Expanded Metal Version**

| SIZE | DWG. NO. | REV |
|----------|----------|----------|
| A | ????? | 2 |

WEIGHT:

SHEET 2 OF 3



Mfg. by Advantage Panels & Fence, Inc.

MYTCOAT

Commercial Outdoor Furniture

www.mytcoat.com

PROPRIETARY AND CONFIDENTIAL

THE INFORMATION CONTAINED IN THIS DRAWING IS THE SOLE PROPERTY OF Advantage Panels & Fence, Inc. PO Box 1790 Whitney, TX. ANY REPRODUCTION IN PART OR AS A WHOLE WITHOUT THE WRITTEN PERMISSION OF Advantage Panels & Fence, Inc. PO Box 1790 Whitney, TX. IS PROHIBITED.

| | NAME | DATE |
|--------------|------|------------|
| DRAWN | GM | 11/30/2016 |
| SALES APPR. | | |
| CLIENT APPR. | | |
| MFG APPR. | | |
| Q.A. | | |

Design By -

CADWorksPro
Chicago, IL

www.cadworkspro.com

AAdvantage Panels & Fence, Inc.

TITLE:

**3-Seat HCA Square Table
Perforated Metal Version**

| SIZE | DWG. NO. | REV |
|----------|----------|----------|
| A | ????? | 2 |

WEIGHT:

SHEET 3 OF 3