



MyTCoat

Commercial Outdoor Furniture

www.mytcoat.com

46" Round Portable Table



Models:

TRD46-A-04-000

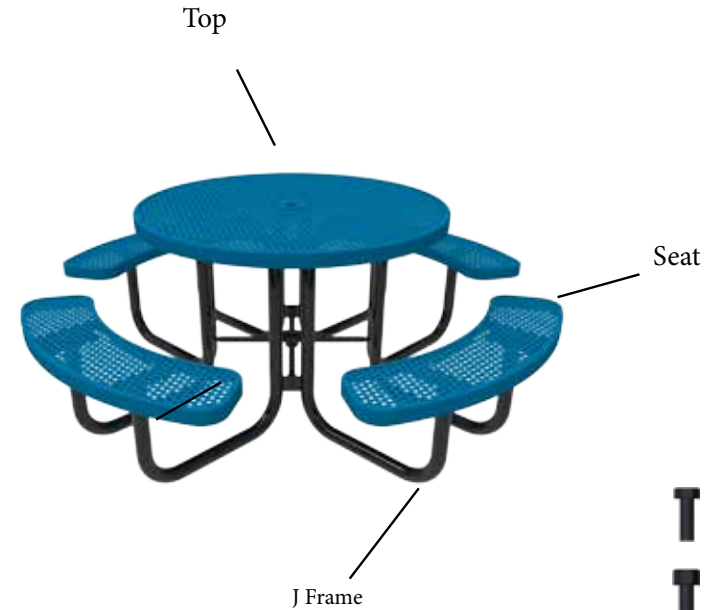
TRD46-B-04-000

TRD46-C-04-000

TRD46-D-04-000

Parts, Hardware, and Suggested Tools

Unit Common Description	Units Per Model
Cross Brace - Round	1
J Frame	2
J Frame HDCP - R	1
J Frame HDCP - L	1
5/16-18 x 1 1/2" tap bolt w/black xylan	24
5/16-18 nylock nut w/black xylan	24
5/16 uss flat washer w/black ox	48
#vc300-8 5/16" bolt size 1/2" lg vinyl cap	24
38" Concave Seat - Expanded Metal	3
46" Round Table Top - Expand Metal	1



Suggested Tools



Open Face Wrench



Socket Wrench



Tape Measure



Level



Bolt (HW01)



Frame Bolt (HW06)



Frame Nut (HW07)



Nut (HW02)



Washer (HW03)



Bolt Cap (HW04)

Specification - Written

Top and Seat Material: Outer frame is made from 3/4" x 2" rolled form angle iron.

- Expanded Metal models - Inside material is 3/4" #9 Expanded Metal, Bracing is 1-1/2" Solid Steel flat bar. All MIG welded.
- Punched Steel models- Inside material is 12 gauge, 1/2" punched Steel. Bracing is 1-1/2" Solid Steel flat bar. All MIG welded.

Top and Seat Coating:

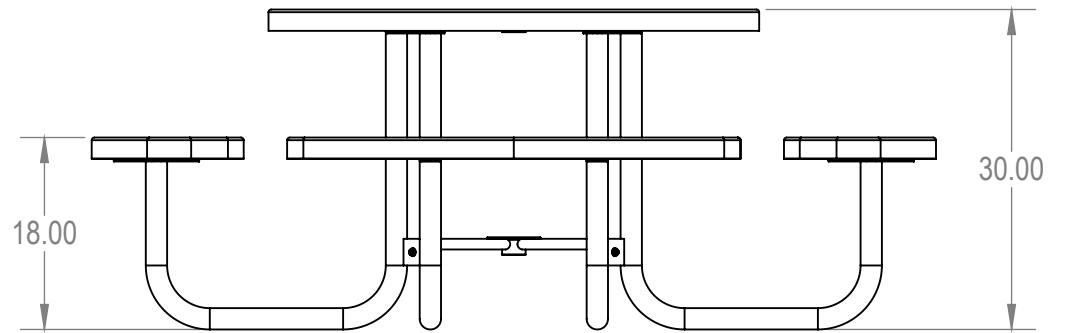
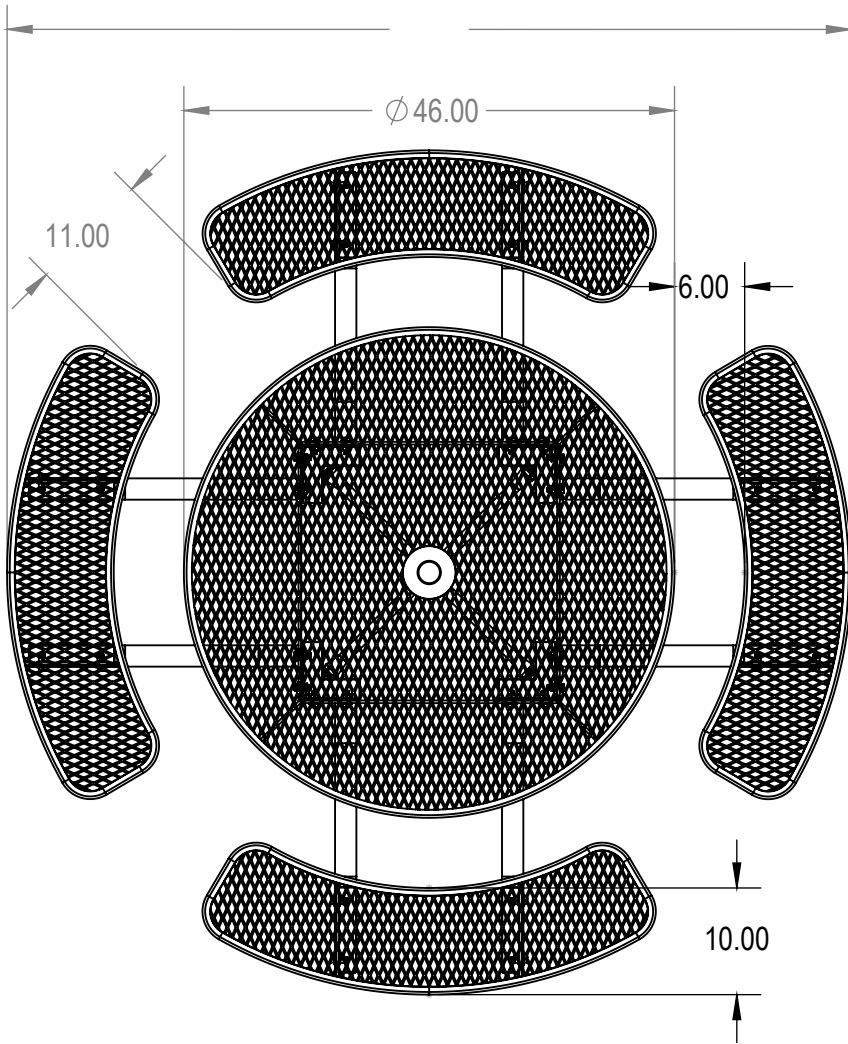
- Advantage Coating - MyTCoat's Advantage Coating is our proprietary coating unique only to MyTCoat. This state-of-the-art coating will not chip, crack or peel. It doesn't have any drips or runs, and it is the most durable coating on the market. The Advantage coating comes with a 7 year Warranty and is available in 13 Different Colors.
- Industry Standard Coating - the Industry Standard line is coated with a Premium Polyethylene Coating. The Industry Standard coating comes with a 5 year warranty and is available in 9 different colors

Frames: Frames are made from 2" OD. Diagonal braces are made from 1" OD tubing. Both are made from pre-galvanized steel tubing

Hardware: All hardware is Xylan coating black hardware for extra protection and strength

Dimension: Round Picnic Table Top - 46" Diameter, Contoured Seats - 10" W x 46" L, Overall Dimension: 78" W x 78" L x 30" H

Specification - Drawing



Assembly Instructions

- 1. Lay Table Top upsided down (table bracing facing up) on a flat smooth surface. It is Recommended to cover ground under table top to prevent damage.**
- 2. Attach Frames to table top using provided hardware (1-bolt, 1-nut, and 2-wahers per hole). Table frames should sit inside bracing on table top. Hand tighten hardware at this time.**
- 3. Attach Cross Braces to tabs in Center of J Frame using hardware provided (1-bolt, 1-nut, and 2-wahers per hole). Hand tighten hardware at this time.**
- 4. Flip Top and Frame assembly upright and attach seats to frames using hardware provided (1-bolt, 1-nut, and 2-wahers per hole. Hand tighten hardware at this time.**
- 5. Level Tops and Seats and use socket and open face wrench to fully tighten hardware. Place Bolt End Caps on bolt ends.**

Installation Safety:

Please Follow Installation Instructions provided by Manufacturer

It is recommended that Product is installer by an experienced installer

Product should be inspected at the time of Delivery, do not install and damaged on defective parts or products.

All Hardware for proper assembly (not installation) is provided. Use hardware that is included with this product.

Product Maintenance:

Maintenance inspection should be performed at a minimum of once a year.

Cleaning, when necessary can be performed with warm water and most household cleaners, avoid any harsh chemicals such as paint remover and acetone. Contact Manufacturer before cleaning to determine if cleaning product is OK for use.

Any surface rust that may occur should be removed and repainted. Contact Manufacturer for touch up paint or any other recommended paints.

Contact Manufacturer for instructions on removing vandalism such as spray paint.

In the case that the MyTCoat coating is damaged, contact Manufacturer for instructions for repair.

Bolts and nuts should be checked on a regular basis to maintain proper tightness.